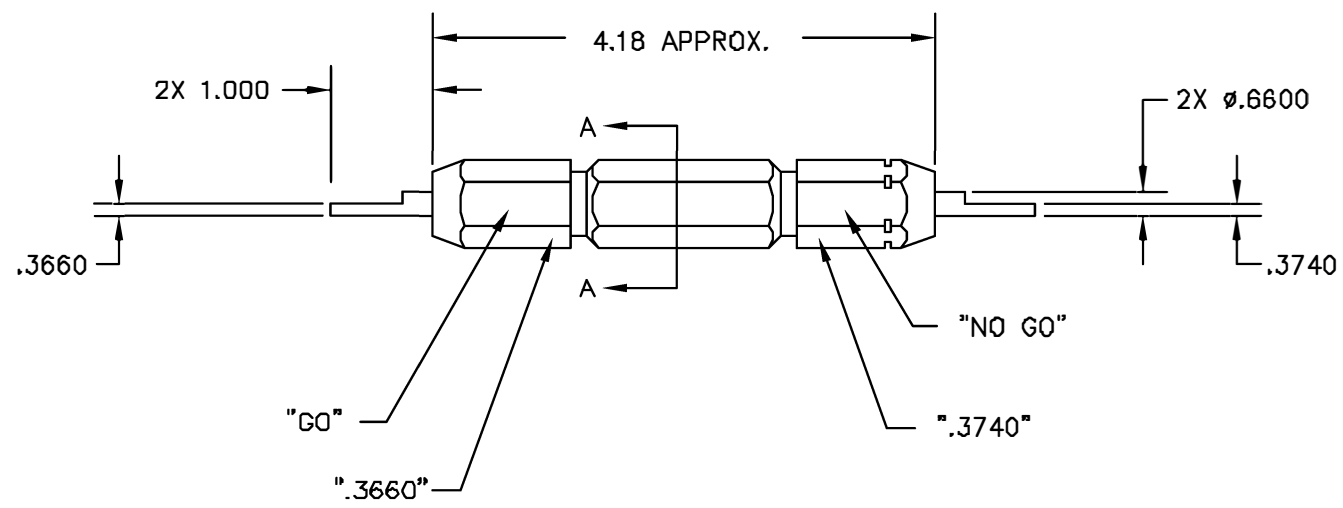



REVISIONS				
REV. SYM.	E.C.O. NUMBER	DESCRIPTION	BY DATE	APP'D DATE
1		ORIGINAL RELEASE	JWJ 1/17/03	RRR 1/17/03



**UNCONTROLLED DOCUMENT
WILL NOT BE UPDATED**

RESTRICTED & CONFIDENTIAL CONFIDENTIAL PROPERTY OF DANIELS MANUFACTURING CORP. NOT TO BE DISCLOSED TO OTHERS, REPRODUCED OR USED FOR ANY OTHER PURPOSE, EXCEPT AS AUTHORIZED IN WRITING BY DANIELS MANUFACTURING. MUST BE RETURNED TO DANIELS MANUFACTURING CORP. ON COMPLETION OF ORDER OR OTHER PURPOSE FOR WHICH SENT.	MATERIAL	ITEM	PART NO.	QTY.	DESCRIPTION/REMARKS		
	HEAT TREAT	DRN.	J. JOYCE	DATE	 DANIELS MANUFACTURING CORP. ORLANDO, FLORIDA FSCM 11851		
		CHK'D.	RRR	DATE			
	FINISH	APP'D.		DATE		TITLE	
APP'D.			DATE	GO/NO-GO GAGE ENVELOPE DRAWING			
DO NOT SCALE DRAWING				WHERE USED			
				SIZE	SCALE	CAD FILE NO	SHEET OF
				B	NTS	G750-ENV	1 1
				POSTING	P/N	G750-ENV	REV
							1